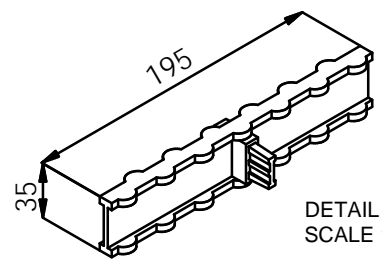
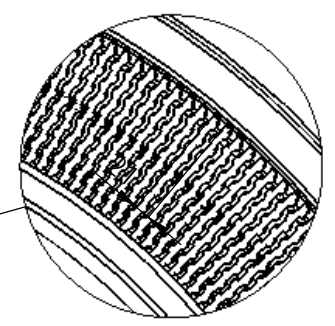
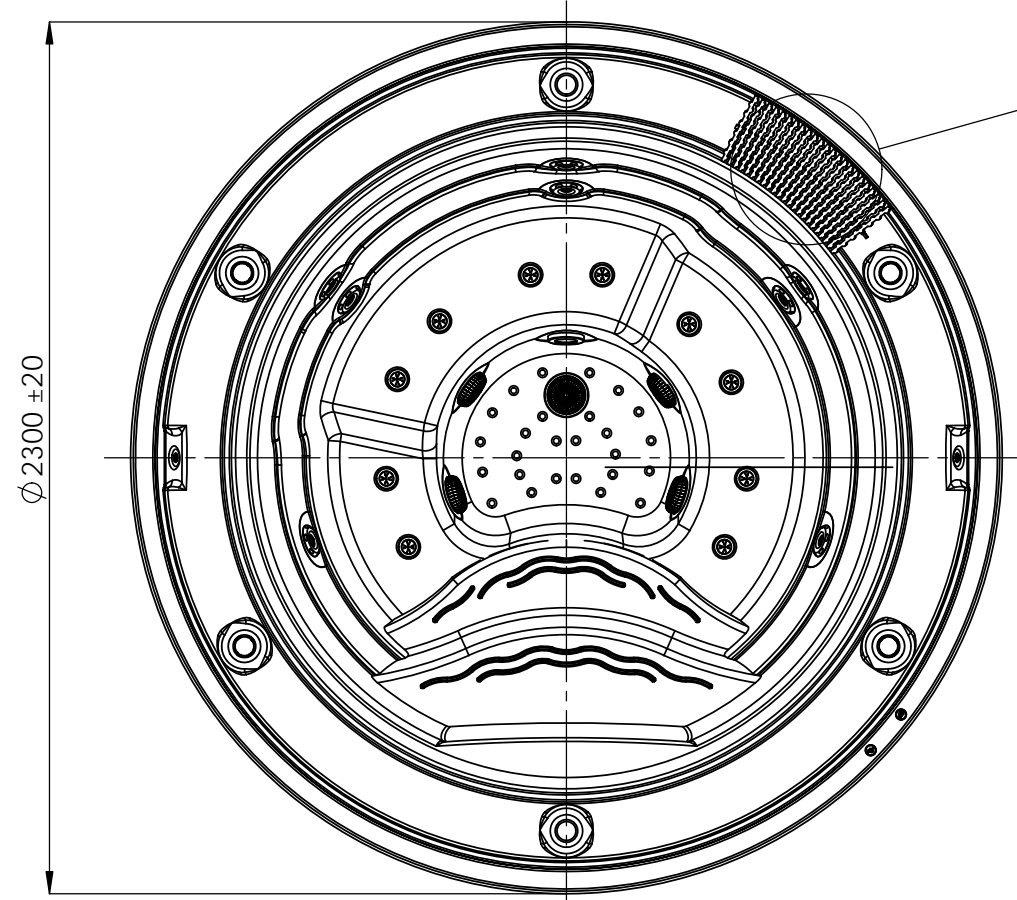
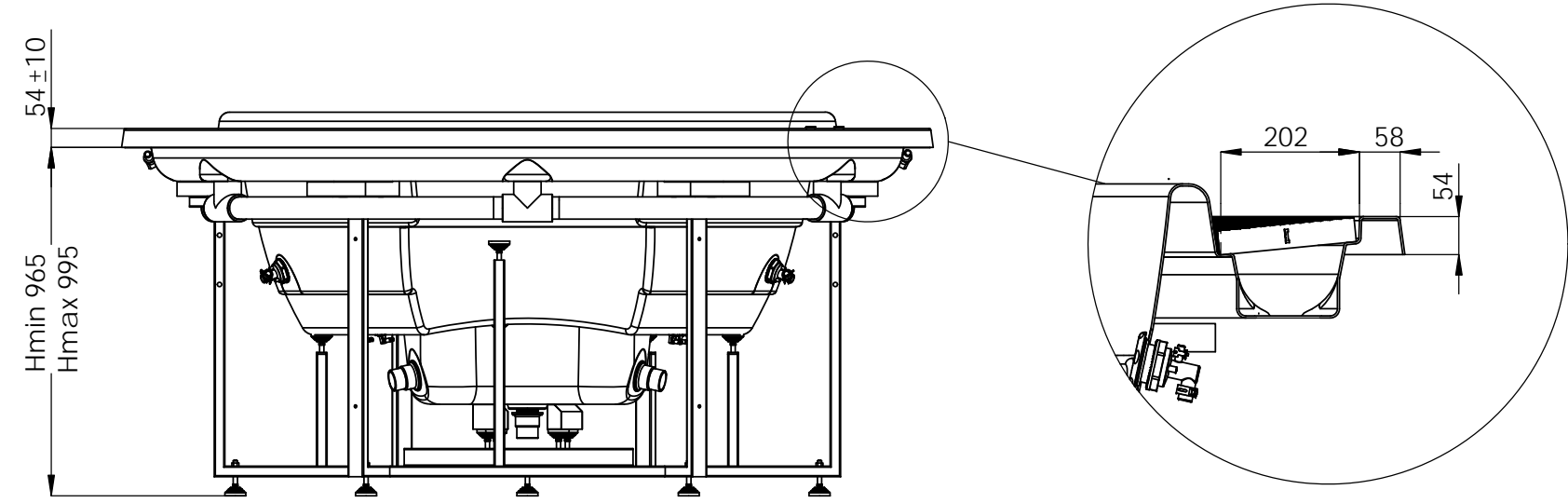
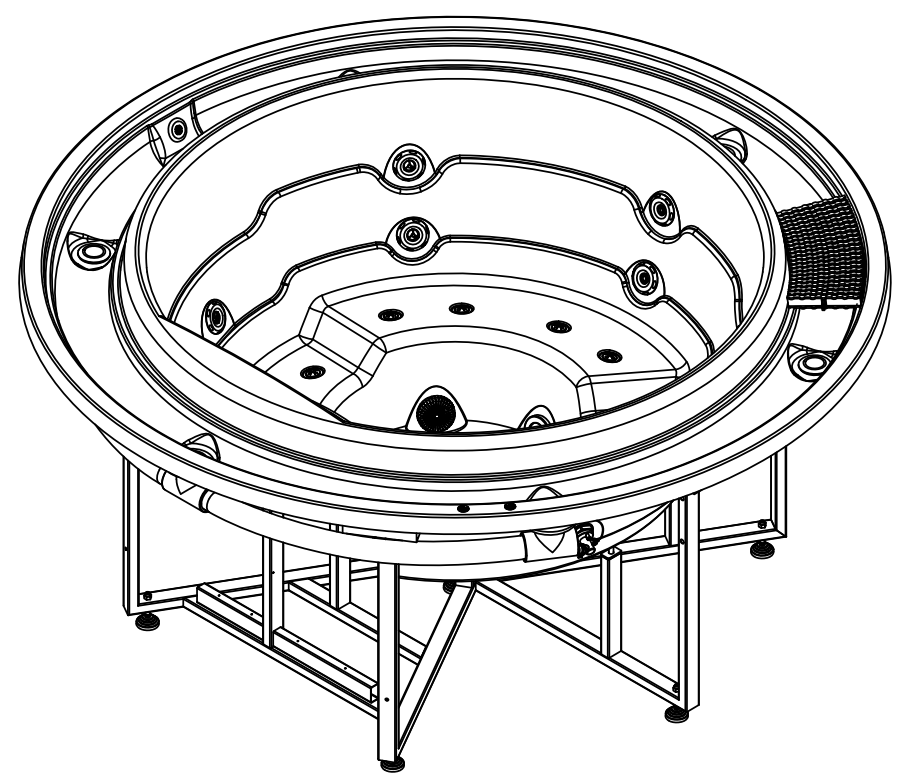


General specifications	
Spa weight (dry)	164 Kg
Spa weight (filled)	1284 Kg
Package dimension	1200x1420x2480mm
Package weight	279 Kg



DETAIL GRID  
SCALE 1:4



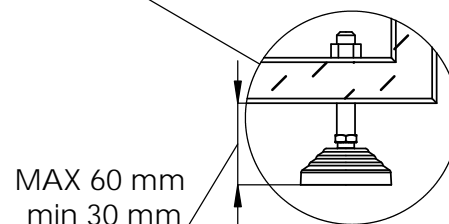
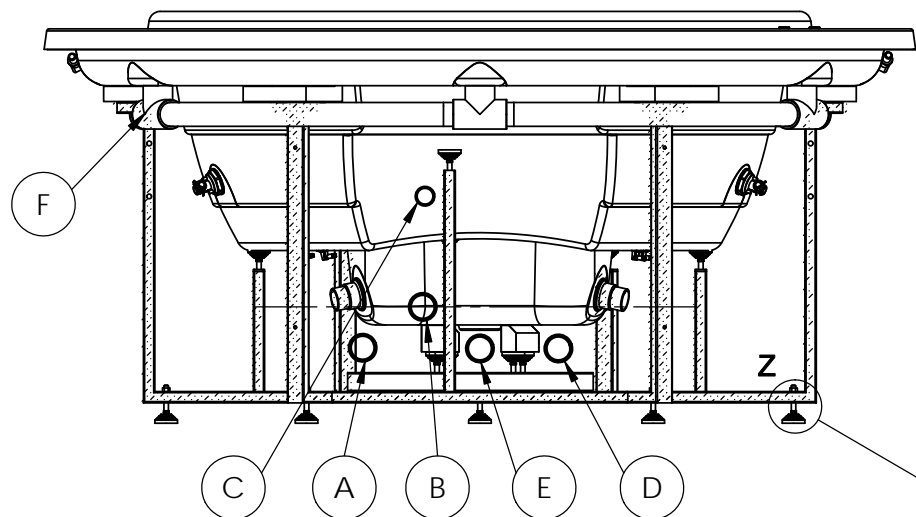
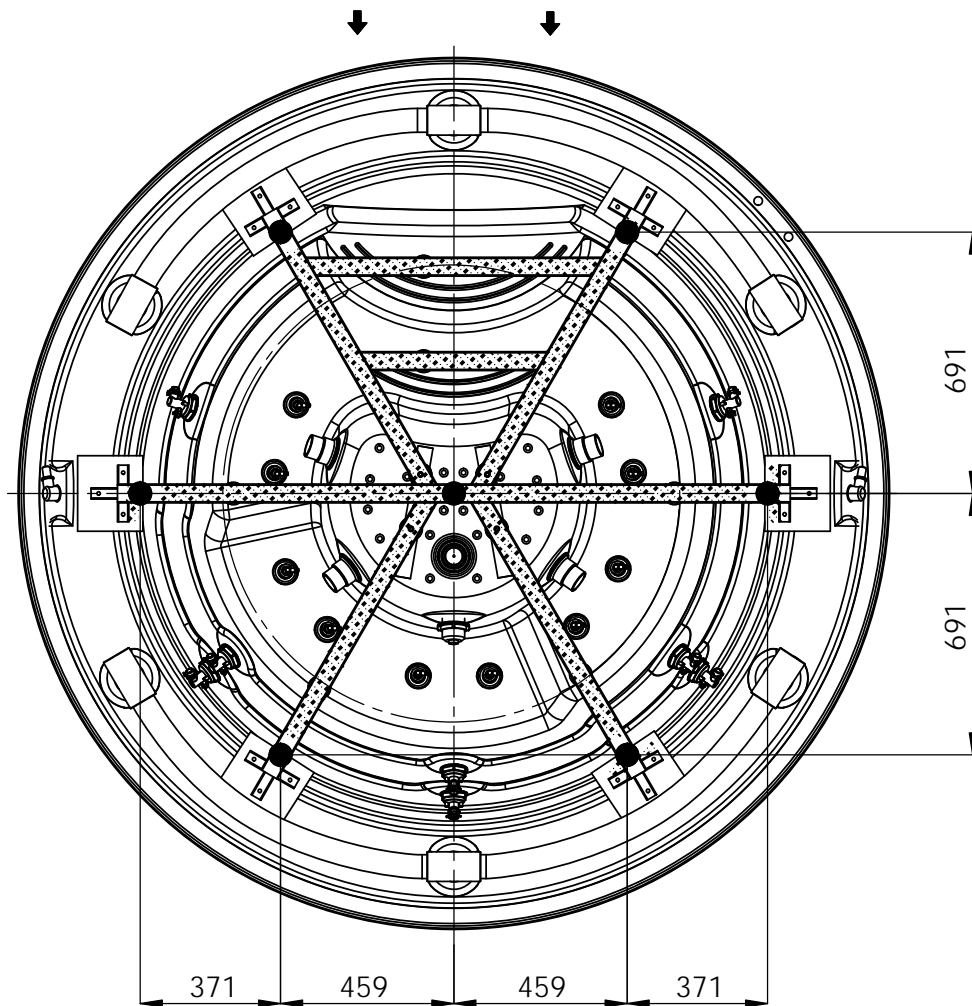
According to our policy of continuous improvement, dimensions, features or components of this product can be partially or completely changed without prior notice. It's Customer responsibility to verify that this is the last version of the drawing

Change No.	Date	Name	Modification
01	12/06/2014	I.Pozo	New templates
00	20/12/2012	X.Codina	Drawing Creation

Remarks Dimensions in mm. General Tolerances +/- 10mm			COMMERCIAL DRAWING		
Drawn	20/12/2012	X-.Codina			
Checked	20/12/2012	I.Nicolas	Part Number	Rev.	First Angle Projection
Scale 1:20	General Tolerance DIN 7168 ISO 2768g			57868	01
Sheet 1/3					

HYDRAULIC CONNECTIONS ACCESS



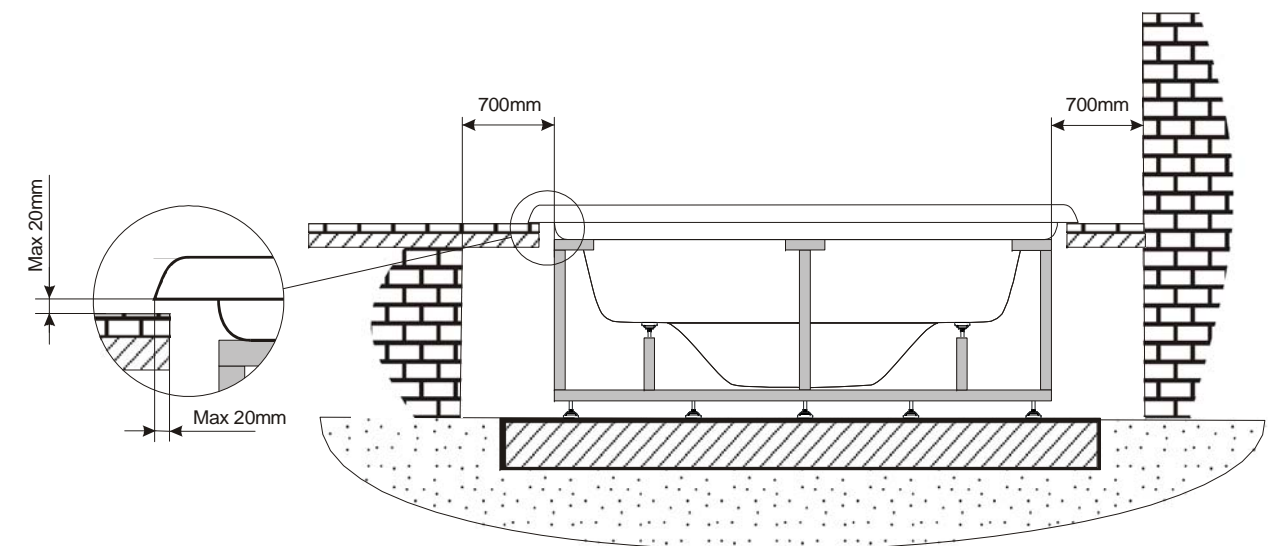
MAX 60 mm  
min 30 mm

DETAIL Z  
SCALE 1:5

A	Suction-Water Massage Pump 1	Ø 63 FEMALE SOCKET
B	Return-Water Massage Pump 1	Ø 63 FEMALE SOCKET
C	Return-Air Massage	Ø 50 FEMALE SOCKET
D	Return-Filtration Pump (Bottom Drain)	Ø 63 FEMALE SOCKET
E	Suction-Filtration Pump	Ø 63 FEMALE SOCKET
F	Overflow Drains (6x)	Ø 63 FEMALE SOCKET

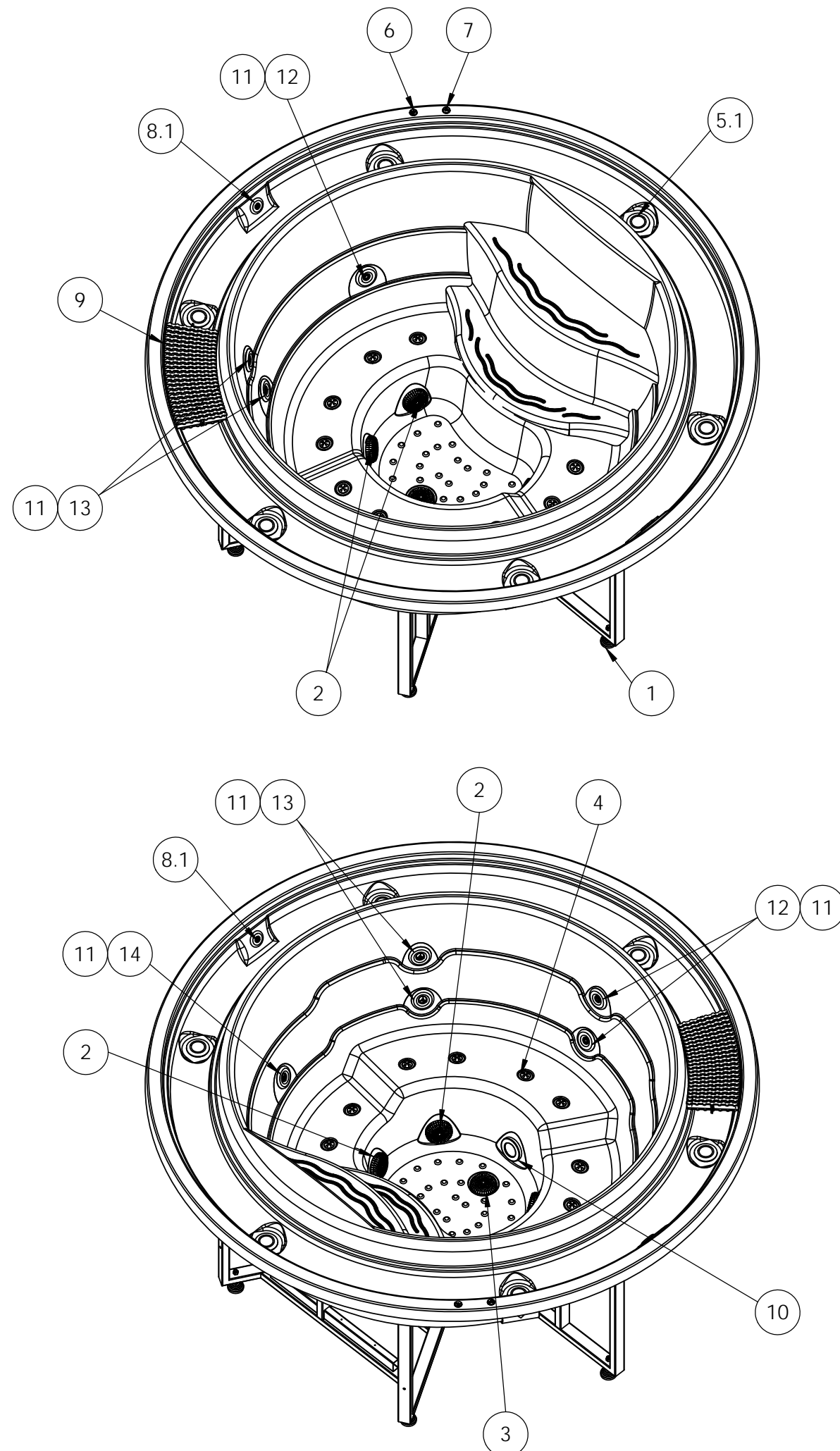
**WARNING:**

It's essential to keep a minimum clearance access of **700mm** all around.  
Minimum depth of spa hole **980 mm**.



According to our policy of continuous improvement, dimensions, features or components of this product can be partially or completely changed without prior notice.  
It's Customer responsibility to verify that this is the last version of the drawing

Remarks				COMMERCIAL				
Dimensions in mm. General Tolerances +/- 10mm								
Drawn	20/12/2012	X-.Codina				Part Number <b>57868</b>	Rev. <b>01</b>	First Angle Projection 
Checked	20/12/2012	I.Nicolas						
Scale 1:20	General Tolerance							
Sheet 2/3	DIN 7168 ISO 2768g							
Property of IBERSPA S.L. Avda. Pla d'Urgell 2-8 25200 Cervera, Spain. Don't use without permission. Keep this information confidential and use it solely for the permitted purpose.								



STAINLESS STEEL JETS + WHITE LIGHT			
Position Num.	Part Nº SPARE	Description SPARE	Quant.
1	303325R	SPA SUPPORT	17
2	RPOR0223	WHITE SPA DRAIN 2" ADAPTOR SOCKET D.50	4
3	RPOR0224	WHITE SPA DRAIN 2" ADAPTOR ELBOW 90 D.50	1
4	REMP0046	WHITE-STAINLESS STEEL AIR NOZZLE	10
5.1	REMP0055	PRESSURE NOZZLE 63 (GASKET 2 UNITS)	6
6	REMP0034	DIGITAL BUTTON IP68 ALUM. AIR	1
7	REMP0033	DIGITAL BUTTON IP68 ALUM. WATER	1
8.1	RPOR0001	WHITE DRAIN SET 1/2"	2
9	REMP0032	DIN CURVED GRATING WIDTH 195 mm	334
10	RPOR0024	LIGHT SPAS SI800	1
11	RPOR0236	JET BODY SET RD 3"	8
12	RPOR0231	FRONTAL JET 3" STAINLESS STEEL DIRECTIONAL	3
13	RPOR0232	FRONTAL JET 3" STAINLESS STEEL 1 JET ROTO	4
14	RPOR0233	FRONTAL JET 3" STAINLESS STEEL TWIN ROTO	1

WHITE JETS + WHITE LIGHT			
Position Num.	Part Nº SPARE	Description SPARE	Quant.
1	303325R	SPA SUPPORT	17
2	RPOR0223	WHITE SPA DRAIN 2" ADAPTOR SOCKET D.50	4
3	RPOR0224	WHITE SPA DRAIN 2" ADAPTOR ELBOW 90 D.50	1
4	REMP0029	KIT STORM AIR NOZZLE	10
5.1	REMP0055	PRESSURE NOZZLE 63 (GASKET 2 UNITS)	6
6	REMP0034	DIGITAL BUTTON IP68 ALUM. AIR	1
7	REMP0033	DIGITAL BUTTON IP68 ALUM. WATER	1
8.1	RPOR0001	WHITE DRAIN SET 1/2"	2
9	REMP0032	DIN CURVED GRATING WIDTH 195 mm	334
10	RPOR0024	LIGHT SPAS SI800	1
11	RPOR0236	JET BODY SET RD 3"	8
12	REMP0058	FRONTAL JET DIRECCIONAL 3"	3
13	REMP0059	FRONTAL JET ROT 1 CHORRO 3"	4
14	REMP0060	FRONTAL JET ROT 2 CHORRO 3"	1

STAINLESS STEEL JETS + COLOUR LIGHT			
Position Num.	Part Nº SPARE	Description SPARE	Quant.
1	303325R	SPA SUPPORT	17
2	RPOR0223	WHITE SPA DRAIN 2" ADAPTOR SOCKET D.50	4
3	RPOR0224	WHITE SPA DRAIN 2" ADAPTOR ELBOW 90 D.50	1
4	REMP0046	WHITE-STAINLESS STEEL AIR NOZZLE	10
5.1	REMP0055	PRESSURE NOZZLE 63 (GASKET 2 UNITS)	6
6	REMP0034	DIGITAL BUTTON IP68 ALUM. AIR	1
7	REMP0033	DIGITAL BUTTON IP68 ALUM. WATER	1
8.1	RPOR0001	WHITE DRAIN SET 1/2"	2
9	REMP0032	DIN CURVED GRATING WIDTH 195 mm	334
10	RCOM0063	HIGH INTENSITY COLOURS LED SPOTLIGHTS + STEEL ESCUTCHEON SPOTLIGHT	1
11	RPOR0236	JET BODY SET RD 3"	8
12	RPOR0231	FRONTAL JET 3" STAINLESS STEEL DIRECTIONAL	3
13	RPOR0232	FRONTAL JET 3" STAINLESS STEEL 1 JET ROTO	4
14	RPOR0233	FRONTAL JET 3" STAINLESS STEEL TWIN ROTO	1

WHITE JETS + COLOUR LIGHT			
Position Num.	Part Nº SPARE	Description SPARE	Quant.
1	303325R	SPA SUPPORT	17
2	RPOR0223	WHITE SPA DRAIN 2" ADAPTOR SOCKET D.50	4
3	RPOR0224	WHITE SPA DRAIN 2" ADAPTOR ELBOW 90 D.50	1
4	REMP0029	KIT STORM AIR NOZZLE	10
5.1	REMP0055	PRESSURE NOZZLE 63 (GASKET 2 UNITS)	6
6	REMP0034	DIGITAL BUTTON IP68 ALUM. AIR	1
7	REMP0033	DIGITAL BUTTON IP68 ALUM. WATER	1
8.1	RPOR0001	WHITE DRAIN SET 1/2"	2
9	REMP0032	DIN CURVED GRATING WIDTH 195 mm	334
10	RCOM0061	HIGH INTENSITY COLOURS LED SPOTLIGHTS + WITHE ESCUTCHEON SPOTLIGHT	1
11	RPOR0236	JET BODY SET RD 3"	8
12	REMP0058	FRONTAL JET DIRECCIONAL 3"	3
13	REMP0059	FRONTAL JET ROT 1 CHORRO 3"	4
14	REMP0060	FRONTAL JET ROT 2 CHORRO 3"	1

According to our policy of continuous improvement, dimensions, features or components of this product can be partially or completely changed without prior notice. It's Customer responsibility to verify that this is the last version of the drawing

Change No.	Date	Name	Modification
01	12/06/2014	I.Pozo	New templates
00	20/12/2012	X.Codina	Drawing Creation

Remarks		SPARE DRAWING	
Dimensions in mm. General Tolerances +/- 10mm			
Drawn	20/12/2012	X-.Codina	Part Number <b>57868</b>
Checked	20/12/2012	I.Nicolas	
Scale 1:20	General Tolerance DIN 7168 ISO 2768g		Rev. <b>01</b>
Sheet 3/3			
		First Angle Projection	

**IBERSPA**

Property of IBERSPA S.L. Avda. Pla d'Urgell 2-8 25200 Cervera, Spain. Don't use without permission. Keep this information confidential and use it solely for the permitted purpose.